



SPEC CPU®2017 Floating Point Rate Result

Copyright 2017-2024 Standard Performance Evaluation Corporation

Hewlett Packard Enterprise

(Test Sponsor: HPE)

ProLiant DL365 Gen11

(3.65 GHz, AMD EPYC 9475F)

SPECrate®2017_fp_base = 1550

SPECrate®2017_fp_peak = 1560

CPU2017 License: 3

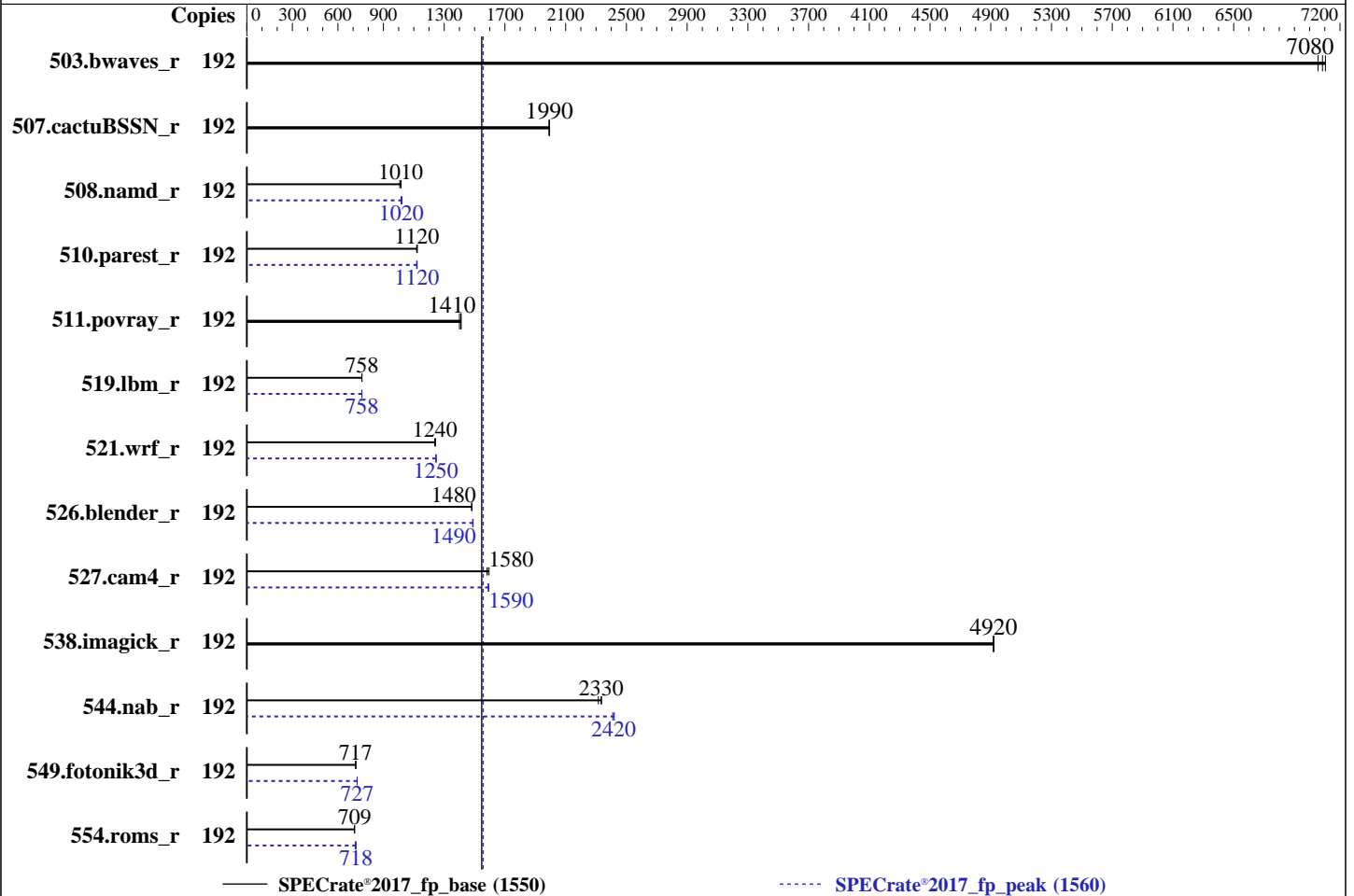
Test Sponsor: HPE

Tested by: HPE

Test Date: Nov-2024

Hardware Availability: Jan-2025

Software Availability: Sep-2024



Hardware

CPU Name: AMD EPYC 9475F
 Max MHz: 4800
 Nominal: 3650
 Enabled: 96 cores, 2 chips, 2 threads/core
 Orderable: 1,2 chips
 Cache L1: 32 KB I + 48 KB D on chip per core
 L2: 1 MB I+D on chip per core
 L3: 256 MB I+D on chip per chip,
 32 MB shared / 6 cores
 Other: None
 Memory: 768 GB (24 x 32 GB 2Rx8 PC5-6400B-R,
 running at 6000)
 Storage: 1 x 480 GB SATA SSD
 Other: CPU Cooling: Air

Software

OS: SUSE Linux Enterprise Server 15 SP6
 Kernel 6.4.0-150600.21-default
 Compiler: C/C++/Fortran: Version 5.0.0 of AOCC
 Parallel: No
 Firmware: HPE BIOS Version v2.20 10/31/2024 released
 Oct-2024
 File System: btrfs
 System State: Run level 3 (multi-user)
 Base Pointers: 64-bit
 Peak Pointers: 64-bit
 Other: None
 Power Management: BIOS and OS set to prefer performance at
 the cost of additional power usage



SPEC CPU®2017 Floating Point Rate Result

Copyright 2017-2024 Standard Performance Evaluation Corporation

Hewlett Packard Enterprise

(Test Sponsor: HPE)

ProLiant DL365 Gen11

(3.65 GHz, AMD EPYC 9475F)

SPECrate®2017_fp_base = 1550

SPECrate®2017_fp_peak = 1560

CPU2017 License: 3
Test Sponsor: HPE
Tested by: HPE

Test Date: Nov-2024
Hardware Availability: Jan-2025
Software Availability: Sep-2024

Results Table

Benchmark	Base							Peak						
	Copies	Seconds	Ratio	Seconds	Ratio	Seconds	Ratio	Copies	Seconds	Ratio	Seconds	Ratio	Seconds	Ratio
503.bwaves_r	192	271	7100	273	7060	<u>272</u>	<u>7080</u>	192	271	7100	273	7060	<u>272</u>	<u>7080</u>
507.cactuBSSN_r	192	<u>122</u>	<u>1990</u>	122	1990	122	1990	192	<u>122</u>	<u>1990</u>	122	1990	122	1990
508.namd_r	192	180	1020	<u>180</u>	<u>1010</u>	181	1010	192	179	1020	<u>179</u>	<u>1020</u>	178	1020
510.parest_r	192	<u>449</u>	<u>1120</u>	449	1120	447	1120	192	449	1120	448	1120	<u>448</u>	<u>1120</u>
511.povray_r	192	318	1410	320	1400	<u>318</u>	<u>1410</u>	192	318	1410	320	1400	<u>318</u>	<u>1410</u>
519.lbm_r	192	267	758	<u>267</u>	<u>758</u>	267	759	192	267	757	<u>267</u>	<u>758</u>	267	758
521.wrf_r	192	<u>347</u>	<u>1240</u>	346	1240	347	1240	192	345	1250	345	1240	<u>345</u>	<u>1250</u>
526.blender_r	192	197	1480	197	1480	<u>197</u>	<u>1480</u>	192	<u>196</u>	<u>1490</u>	196	1490	196	1490
527.cam4_r	192	210	1600	212	1580	<u>212</u>	<u>1580</u>	192	<u>211</u>	<u>1590</u>	211	1590	211	1590
538.imagick_r	192	<u>97.1</u>	<u>4920</u>	97.1	4920	97.1	4920	192	<u>97.1</u>	<u>4920</u>	97.1	4920	97.1	4920
544.nab_r	192	138	2340	<u>138</u>	<u>2330</u>	140	2320	192	134	2410	<u>134</u>	<u>2420</u>	134	2420
549.fotonik3d_r	192	<u>1043</u>	<u>717</u>	1042	718	1044	717	192	<u>1029</u>	<u>727</u>	1030	726	1029	727
554.roms_r	192	<u>430</u>	<u>709</u>	430	710	431	708	192	<u>425</u>	<u>718</u>	424	719	427	714

SPECrate®2017_fp_base = **1550**

SPECrate®2017_fp_peak = **1560**

Results appear in the order in which they were run. Bold underlined text indicates a median measurement.

Compiler Notes

The AMD64 AOCC Compiler Suite is available at
<http://developer.amd.com/amd-aocc/>

Submit Notes

The config file option 'submit' was used.
'numactl' was used to bind copies to the cores.
See the configuration file for details.

Operating System Notes

'ulimit -s unlimited' was used to set environment stack size limit
'ulimit -l 2097152' was used to set environment locked pages in memory limit

runcpu command invoked through numactl i.e.:
numactl --interleave=all runcpu <etc>

To limit dirty cache to 8% of memory, 'sysctl -w vm.dirty_ratio=8' run as root.
To limit swap usage to minimum necessary, 'sysctl -w vm.swappiness=1' run as root.
To free node-local memory and avoid remote memory usage,
'sysctl -w vm.zone_reclaim_mode=1' run as root.
To clear filesystem caches, 'sync; sysctl -w vm.drop_caches=3' run as root.
To disable address space layout randomization (ASLR) to reduce run-to-run
variability, 'sysctl -w kernel.randomize_va_space=0' run as root.

To enable Transparent Hugepages (THP) for all allocations,

(Continued on next page)



SPEC CPU®2017 Floating Point Rate Result

Copyright 2017-2024 Standard Performance Evaluation Corporation

Hewlett Packard Enterprise

(Test Sponsor: HPE)

ProLiant DL365 Gen11

(3.65 GHz, AMD EPYC 9475F)

SPECrate®2017_fp_base = 1550

SPECrate®2017_fp_peak = 1560

CPU2017 License: 3

Test Sponsor: HPE

Tested by: HPE

Test Date: Nov-2024

Hardware Availability: Jan-2025

Software Availability: Sep-2024

Operating System Notes (Continued)

```
'echo always > /sys/kernel/mm/transparent_hugepage/enabled' and
'echo always > /sys/kernel/mm/transparent_hugepage/defrag' run as root.
```

Environment Variables Notes

Environment variables set by runcpu before the start of the run:

```
LD_LIBRARY_PATH =
"/home/cpu2017/amd_rate_aocc500_znver5_A_lib/lib:/home/cpu2017/amd_rate_aocc500_znver5_A_lib/lib32:"
MALLOC_CONF = "retain:true"
```

General Notes

Binaries were compiled on a system with 2x AMD EPYC 9174F CPU + 1.5TiB Memory using RHEL 8.6

NA: The test sponsor attests, as of date of publication, that CVE-2017-5754 (Meltdown) is mitigated in the system as tested and documented.

Yes: The test sponsor attests, as of date of publication, that CVE-2017-5753 (Spectre variant 1) is mitigated in the system as tested and documented.

Yes: The test sponsor attests, as of date of publication, that CVE-2017-5715 (Spectre variant 2) is mitigated in the system as tested and documented.

Platform Notes

BIOS Configuration

Workload Profile set to General Throughput Compute

Determinism Control set to Manual

Performance Determinism set to Power Deterministic

Memory Patrol Scrubbing set to Disabled

ACPI CST C2 Latency set to 18 microseconds

Thermal Configuration set to Maximum Cooling

NUMA memory domains per socket set to Four memory domains per socket

Workload Profile set to Custom

Power Regulator set to OS Control Mode

The reference code/AGESA version used in this ROM is version Turin-PI 1.0.0.2

Sysinfo program /home/cpu2017/bin/sysinfo

Rev: r6732 of 2022-11-07 fe91c89b7ed5c36ae2c92cc097bec197

running on localhost Mon Nov 25 22:05:04 2024

SUT (System Under Test) info as seen by some common utilities.

Table of contents

1. uname -a
2. w
3. Username
4. ulimit -a
5. sysinfo process ancestry
6. /proc/cpuinfo
7. lscpu
8. numactl --hardware
9. /proc/meminfo

(Continued on next page)



SPEC CPU®2017 Floating Point Rate Result

Copyright 2017-2024 Standard Performance Evaluation Corporation

Hewlett Packard Enterprise

(Test Sponsor: HPE)

ProLiant DL365 Gen11

(3.65 GHz, AMD EPYC 9475F)

SPECrate®2017_fp_base = 1550

SPECrate®2017_fp_peak = 1560

CPU2017 License: 3

Test Sponsor: HPE

Tested by: HPE

Test Date: Nov-2024

Hardware Availability: Jan-2025

Software Availability: Sep-2024

Platform Notes (Continued)

- 10. who -r
- 11. Systemd service manager version: systemd 254 (254.10+suse.84.ge8d77af424)
- 12. Services, from systemctl list-unit-files
- 13. Linux kernel boot-time arguments, from /proc/cmdline
- 14. cpupower frequency-info
- 15. sysctl
- 16. /sys/kernel/mm/transparent_hugepage
- 17. /sys/kernel/mm/transparent_hugepage/khugepaged
- 18. OS release
- 19. Disk information
- 20. /sys/devices/virtual/dmi/id
- 21. dmidecode
- 22. BIOS

```
-----
1. uname -a
Linux localhost 6.4.0-150600.21-default #1 SMP PREEMPT_DYNAMIC Thu May 16 11:09:22 UTC 2024 (36c1e09)
x86_64 x86_64 x86_64 GNU/Linux
-----
```

```
-----
2. w
 22:05:04 up 2 min,  1 user,  load average: 3.39, 4.13, 1.90
USER      TTY      FROM          LOGIN@   IDLE   JCPU   PCPU   WHAT
root      pts/0    172.17.1.109  22Apr24 18.00s  1.06s  0.40s  /bin/bash ./amd_rate_aocc500_znver5_A1.sh
-----
```

```
-----
3. Username
From environment variable $USER:  root
-----
```

```
-----
4. ulimit -a
core file size          (blocks, -c) unlimited
data seg size           (kbytes, -d) unlimited
scheduling priority     (-e) 0
file size               (blocks, -f) unlimited
pending signals         (-i) 3094458
max locked memory       (kbytes, -l) 2097152
max memory size         (kbytes, -m) unlimited
open files              (-n) 1024
pipe size               (512 bytes, -p) 8
POSIX message queues    (bytes, -q) 819200
real-time priority      (-r) 0
stack size              (kbytes, -s) unlimited
cpu time                (seconds, -t) unlimited
max user processes      (-u) 3094458
virtual memory          (kbytes, -v) unlimited
file locks              (-x) unlimited
-----
```

```
-----
5. sysinfo process ancestry
/usr/lib/systemd/systemd --switched-root --system --deserialize=31
sshd: /usr/sbin/sshd -D [listener] 0 of 10-100 startups
sshd: root [priv]
sshd: root@pts/0
-bash
python3 ./run_fprate.py
/bin/bash ./amd_rate_aocc500_znver5_A1.sh
runcpu --config amd_rate_aocc500_znver5_A1.cfg --tune all --reportable --iterations 3 fprate
runcpu --configfile amd_rate_aocc500_znver5_A1.cfg --tune all --reportable --iterations 3 --nopower
-----
```

(Continued on next page)



SPEC CPU®2017 Floating Point Rate Result

Copyright 2017-2024 Standard Performance Evaluation Corporation

Hewlett Packard Enterprise

(Test Sponsor: HPE)

ProLiant DL365 Gen11

(3.65 GHz, AMD EPYC 9475F)

SPECrate®2017_fp_base = 1550

SPECrate®2017_fp_peak = 1560

CPU2017 License: 3
Test Sponsor: HPE
Tested by: HPE

Test Date: Nov-2024
Hardware Availability: Jan-2025
Software Availability: Sep-2024

Platform Notes (Continued)

```
--runmode rate --tune base:peak --size test:train:refrate fprate --nopreenv --note-preenv --logfile
$SPEC/tmp/CPU2017.009/templogs/preenv.fprate.009.0.log --lognum 009.0 --from_runcpu 2
specperl $SPEC/bin/sysinfo
$SPEC = /home/cpu2017
```

6. /proc/cpuinfo

```
model name      : AMD EPYC 9475F 48-Core Processor
vendor_id       : AuthenticAMD
cpu family      : 26
model           : 2
stepping        : 1
microcode       : 0xb00211a
bugs            : sysret_ss_attrs spectre_v1 spectre_v2 spec_store_bypass
TLB size        : 192 4K pages
cpu cores       : 48
siblings        : 96
2 physical ids (chips)
192 processors (hardware threads)
physical id 0:  core ids 0-5,8-13,16-21,24-29,32-37,40-45,48-53,56-61
physical id 1:  core ids 0-5,8-13,16-21,24-29,32-37,40-45,48-53,56-61
physical id 0:  apicids 0-11,16-27,32-43,48-59,64-75,80-91,96-107,112-123
physical id 1:  apicids 128-139,144-155,160-171,176-187,192-203,208-219,224-235,240-251
```

Caution: /proc/cpuinfo data regarding chips, cores, and threads is not necessarily reliable, especially for virtualized systems. Use the above data carefully.

7. lscpu

From lscpu from util-linux 2.39.3:

```
Architecture:      x86_64
CPU op-mode(s):    32-bit, 64-bit
Address sizes:      52 bits physical, 57 bits virtual
Byte Order:         Little Endian
CPU(s):             192
On-line CPU(s) list: 0-191
Vendor ID:          AuthenticAMD
BIOS Vendor ID:    Advanced Micro Devices, Inc.
Model name:         AMD EPYC 9475F 48-Core Processor
BIOS Model name:   AMD EPYC 9475F 48-Core Processor           CPU @ 3.6GHz
BIOS CPU family:   107
CPU family:         26
Model:              2
Thread(s) per core: 2
Core(s) per socket: 48
Socket(s):          2
Stepping:           1
Frequency boost:    enabled
CPU(s) scaling MHz: 101%
CPU max MHz:        3650.0000
CPU min MHz:        1500.0000
BogoMIPS:           7289.19
Flags:               fpu vme de pse tsc msr pae mce cx8 apic sep mtrr pge mca cmov pat
                    pse36 clflush mmx fxsr sse sse2 ht syscall nx mmxext fxsr_opt pdpe1gb
                    rdtscp lm constant_tsc rep_good amd_lbr_v2 nopl nonstop_tsc cpuid
                    extd_apicid aperfmperf rapl pni pclmulqdq monitor ssse3 fma cx16 pcid
                    sse4_1 sse4_2 movbe popcnt aes xsave avx f16c rdrand lahf_lm
                    cmp_legacy svm extapic cr8_legacy abm sse4a misalignsse 3dnowprefetch
                    osvw ibs skinit wdt tce topoext perfctr_core perfctr_nb bpext
                    perfctr_llc mwaitx cpb cat_l3 cdp_l3 hw_pstate ssbd mba perfmon_v2
```

(Continued on next page)



SPEC CPU®2017 Floating Point Rate Result

Copyright 2017-2024 Standard Performance Evaluation Corporation

Hewlett Packard Enterprise

(Test Sponsor: HPE)

ProLiant DL365 Gen11

(3.65 GHz, AMD EPYC 9475F)

SPECrate®2017_fp_base = 1550

SPECrate®2017_fp_peak = 1560

CPU2017 License: 3
Test Sponsor: HPE
Tested by: HPE

Test Date: Nov-2024
Hardware Availability: Jan-2025
Software Availability: Sep-2024

Platform Notes (Continued)

ibrs ibpb stibp ibrs_enhanced vmcall fsgsbase tsc_adjust bmi1 avx2 smep bmi2 erms invpcid cqm rdt_a avx512f avx512dq rdseed adx smap avx512ifma clflushopt clwb avx512cd sha_ni avx512bw avx512vl xsaveopt xsavec xgetbv1 xsaves cqm_llc cqm_occup_llc cqm_mbm_total cqm_mbm_local user_shstk avx_vnni avx512_bf16 clzero irperf xsaveerptr rdpru wbnoinvd amd_ppin cppc arat npt lbrv svm_lock nrip_save tsc_scale vmcb_clean flushbyasid decodeassists pausefilter pfthreshold avic v_vmsave_vmload vgif x2avic v_spec_ctrl vnmi avx512vbmi umip pku ospke avx512_vbmi2 gfni vaes vpclmulqdq avx512_vnni avx512_bitalg avx512_vpopcntdq la57 rdpid bus_lock_detect movdiri movdir64b overflow_recov succor smca fsrm avx512_vp2intersect flush_lld debug_swap

Virtualization:

L1d cache: AMD-V
L1i cache: 4.5 MiB (96 instances)
L2 cache: 3 MiB (96 instances)
L3 cache: 96 MiB (96 instances)
NUMA node(s): 512 MiB (16 instances)
8

NUMA node0 CPU(s): 0-11,96-107
NUMA node1 CPU(s): 12-23,108-119
NUMA node2 CPU(s): 24-35,120-131
NUMA node3 CPU(s): 36-47,132-143
NUMA node4 CPU(s): 48-59,144-155
NUMA node5 CPU(s): 60-71,156-167
NUMA node6 CPU(s): 72-83,168-179
NUMA node7 CPU(s): 84-95,180-191

Vulnerability Gather data sampling: Not affected
Vulnerability Itlb multihit: Not affected
Vulnerability L1tf: Not affected
Vulnerability Mds: Not affected
Vulnerability Meltdown: Not affected
Vulnerability Mmio stale data: Not affected
Vulnerability Reg file data sampling: Not affected
Vulnerability Retbleed: Not affected
Vulnerability Spec rstack overflow: Not affected
Vulnerability Spec store bypass: Mitigation; Speculative Store Bypass disabled via prctl
Vulnerability Spectre v1: Mitigation; usercopy/swaps barriers and __user pointer sanitization
Vulnerability Spectre v2: Mitigation; Enhanced / Automatic IBRS; IBPB conditional; STIBP always-on; RSB filling; PBRBS-eIBRS Not affected; BHI Not affected
Vulnerability Srbds: Not affected
Vulnerability Tsx async abort: Not affected

From lscpu --cache:

NAME	ONE-SIZE	ALL-SIZE	WAYS	TYPE	LEVEL	SETS	PHY-LINE	COHERENCY-SIZE
L1d	48K	4.5M	12	Data	1	64	1	64
L1i	32K	3M	8	Instruction	1	64	1	64
L2	1M	96M	16	Unified	2	1024	1	64
L3	32M	512M	16	Unified	3	32768	1	64

8. numactl --hardware

NOTE: a numactl 'node' might or might not correspond to a physical chip.

available: 8 nodes (0-7)
node 0 cpus: 0-11,96-107
node 0 size: 96446 MB
node 0 free: 95979 MB
node 1 cpus: 12-23,108-119
node 1 size: 96761 MB
node 1 free: 96346 MB
node 2 cpus: 24-35,120-131

(Continued on next page)



SPEC CPU®2017 Floating Point Rate Result

Copyright 2017-2024 Standard Performance Evaluation Corporation

Hewlett Packard Enterprise

(Test Sponsor: HPE)

ProLiant DL365 Gen11

(3.65 GHz, AMD EPYC 9475F)

SPECrate®2017_fp_base = 1550

SPECrate®2017_fp_peak = 1560

CPU2017 License: 3
Test Sponsor: HPE
Tested by: HPE

Test Date: Nov-2024
Hardware Availability: Jan-2025
Software Availability: Sep-2024

Platform Notes (Continued)

```

node 2 size: 96761 MB
node 2 free: 96399 MB
node 3 cpus: 36-47,132-143
node 3 size: 96761 MB
node 3 free: 96360 MB
node 4 cpus: 48-59,144-155
node 4 size: 96723 MB
node 4 free: 96401 MB
node 5 cpus: 60-71,156-167
node 5 size: 96761 MB
node 5 free: 96376 MB
node 6 cpus: 72-83,168-179
node 6 size: 96761 MB
node 6 free: 96439 MB
node 7 cpus: 84-95,180-191
node 7 size: 96662 MB
node 7 free: 96325 MB
node distances:
node  0  1  2  3  4  5  6  7
0:  10 12 12 12 32 32 32 32
1:  12 10 12 12 32 32 32 32
2:  12 12 10 12 32 32 32 32
3:  12 12 12 10 32 32 32 32
4:  32 32 32 32 10 12 12 12
5:  32 32 32 32 12 10 12 12
6:  32 32 32 32 12 12 10 12
7:  32 32 32 32 12 12 12 10

```

```

-----
9. /proc/meminfo
   MemTotal:      792206728 kB

```

```

-----
10. who -r
    run-level 3 Apr 22 17:45

```

```

-----
11. Systemd service manager version: systemd 254 (254.10+suse.84.ge8d77af424)
    Default Target Status
    multi-user      running

```

```

-----
12. Services, from systemctl list-unit-files
STATE UNIT FILES
enabled apparmor auditd cron getty@ irqbalance issue-generator kbdsettings lvm2-monitor postfix
        purge-kernels rollback sshd systemd-pstore wicked wickedd-auto4 wickedd-dhcp4
        wickedd-dhcp6 wickedd-nanny
enabled-runtime systemd-remount-fs
disabled blk-availability boot-sysctl ca-certificates chrony-wait chronyd console-getty debug-shell
        grub2-once haveged hwloc-dump-hwdata issue-add-ssh-keys kexec-load lunmask rpmconfigcheck
        serial-getty@ systemd-boot-check-no-failures systemd-confext systemd-network-generator
        systemd-sysext systemd-time-wait-sync systemd-timesyncd
indirect pcsd systemd-userdbd wickedd

```

```

-----
13. Linux kernel boot-time arguments, from /proc/cmdline
BOOT_IMAGE=/boot/vmlinuz-6.4.0-150600.21-default
root=UUID=4bcae1f8-16cc-4194-a8eb-e8f8705e985c
splash=silent
mitigations=auto

```

(Continued on next page)



SPEC CPU®2017 Floating Point Rate Result

Copyright 2017-2024 Standard Performance Evaluation Corporation

Hewlett Packard Enterprise

(Test Sponsor: HPE)

ProLiant DL365 Gen11

(3.65 GHz, AMD EPYC 9475F)

SPECrate®2017_fp_base = 1550

SPECrate®2017_fp_peak = 1560

CPU2017 License: 3

Test Sponsor: HPE

Tested by: HPE

Test Date: Nov-2024

Hardware Availability: Jan-2025

Software Availability: Sep-2024

Platform Notes (Continued)

```
quiet
security=apparmor
```

```
-----
14. cpupower frequency-info
analyzing CPU 27:
  current policy: frequency should be within 1.50 GHz and 3.65 GHz.
                   The governor "performance" may decide which speed to use
                   within this range.
  boost state support:
    Supported: yes
    Active: yes
```

```
-----
15. sysctl
kernel.numa_balancing          1
kernel.randomize_va_space      0
vm.compaction_proactiveness    20
vm.dirty_background_bytes      0
vm.dirty_background_ratio      10
vm.dirty_bytes                  0
vm.dirty_expire_centisecs      3000
vm.dirty_ratio                  8
vm.dirty_writeback_centisecs   500
vm.dirtytime_expire_seconds    43200
vm.extfrag_threshold           500
vm.min_unmapped_ratio          1
vm.nr_hugepages                 0
vm.nr_hugepages_mempolicy      0
vm.nr_overcommit_hugepages     0
vm.swappiness                   1
vm.watermark_boost_factor      15000
vm.watermark_scale_factor      10
vm.zone_reclaim_mode           1
```

```
-----
16. /sys/kernel/mm/transparent_hugepage
defrag          [always] defer defer+madvise madvise never
enabled         [always] madvise never
hpage_pmd_size 2097152
shmem_enabled   always within_size advise [never] deny force
```

```
-----
17. /sys/kernel/mm/transparent_hugepage/khugepaged
alloc_sleep_millisecs  60000
defrag                  1
max_ptes_none           511
max_ptes_shared         256
max_ptes_swap           64
pages_to_scan           4096
scan_sleep_millisecs   10000
```

```
-----
18. OS release
From /etc/*-release /etc/*-version
os-release SUSE Linux Enterprise Server 15 SP6
```

```
-----
19. Disk information
SPEC is set to: /home/cpu2017
```

(Continued on next page)



SPEC CPU®2017 Floating Point Rate Result

Copyright 2017-2024 Standard Performance Evaluation Corporation

Hewlett Packard Enterprise

(Test Sponsor: HPE)

ProLiant DL365 Gen11

(3.65 GHz, AMD EPYC 9475F)

SPECrate®2017_fp_base = 1550

SPECrate®2017_fp_peak = 1560

CPU2017 License: 3
Test Sponsor: HPE
Tested by: HPE

Test Date: Nov-2024
Hardware Availability: Jan-2025
Software Availability: Sep-2024

Platform Notes (Continued)

Filesystem	Type	Size	Used	Avail	Use%	Mounted on
/dev/sda2	btrfs	445G	29G	413G	7%	/home

```

20. /sys/devices/virtual/dmi/id
Vendor: HPE
Product: ProLiant DL365 Gen11
Product Family: ProLiant
Serial: DL365G11-001

```

```

21. dmidecode
Additional information from dmidecode 3.4 follows. WARNING: Use caution when you interpret this section.
The 'dmidecode' program reads system data which is "intended to allow hardware to be accurately
determined", but the intent may not be met, as there are frequent changes to hardware, firmware, and the
"DMTF SMBIOS" standard.
Memory:
24x Hynix HMC88AHBRA471N 32 GB 2 rank 6400, configured at 6000

```

```

22. BIOS
(This section combines info from /sys/devices and dmidecode.)
BIOS Vendor: HPE
BIOS Version: 2.20
BIOS Date: 10/31/2024
BIOS Revision: 2.20
Firmware Revision: 1.62

```

Compiler Version Notes

```

=====
C | 519.lbm_r(base, peak) 538.imagick_r(base, peak) 544.nab_r(base, peak)
=====

```

```

AMD clang version 17.0.6 (CLANG: AOCC_5.0.0-Build#1316 2024_09_09)
Target: x86_64-unknown-linux-gnu
Thread model: posix
InstalledDir: /opt/AMD/aocc/aocc-compiler-rel-5.0.0-4925-1316/bin
=====

```

```

=====
C++ | 508.namd_r(base, peak) 510.parest_r(base, peak)
=====

```

```

AMD clang version 17.0.6 (CLANG: AOCC_5.0.0-Build#1316 2024_09_09)
Target: x86_64-unknown-linux-gnu
Thread model: posix
InstalledDir: /opt/AMD/aocc/aocc-compiler-rel-5.0.0-4925-1316/bin
=====

```

```

=====
C++, C | 511.povray_r(base, peak) 526.blender_r(base, peak)
=====

```

```

AMD clang version 17.0.6 (CLANG: AOCC_5.0.0-Build#1316 2024_09_09)
Target: x86_64-unknown-linux-gnu
Thread model: posix
InstalledDir: /opt/AMD/aocc/aocc-compiler-rel-5.0.0-4925-1316/bin
AMD clang version 17.0.6 (CLANG: AOCC_5.0.0-Build#1316 2024_09_09)
Target: x86_64-unknown-linux-gnu
Thread model: posix

```

(Continued on next page)



SPEC CPU®2017 Floating Point Rate Result

Copyright 2017-2024 Standard Performance Evaluation Corporation

Hewlett Packard Enterprise

(Test Sponsor: HPE)

ProLiant DL365 Gen11

(3.65 GHz, AMD EPYC 9475F)

SPECrate®2017_fp_base = 1550

SPECrate®2017_fp_peak = 1560

CPU2017 License: 3
Test Sponsor: HPE
Tested by: HPE

Test Date: Nov-2024
Hardware Availability: Jan-2025
Software Availability: Sep-2024

Compiler Version Notes (Continued)

InstalledDir: /opt/AMD/aocc/aocc-compiler-rel-5.0.0-4925-1316/bin

=====
C++, C, Fortran | 507.cactuBSSN_r(base, peak)

AMD clang version 17.0.6 (CLANG: AOCC_5.0.0-Build#1316 2024_09_09)

Target: x86_64-unknown-linux-gnu

Thread model: posix

InstalledDir: /opt/AMD/aocc/aocc-compiler-rel-5.0.0-4925-1316/bin

AMD clang version 17.0.6 (CLANG: AOCC_5.0.0-Build#1316 2024_09_09)

Target: x86_64-unknown-linux-gnu

Thread model: posix

InstalledDir: /opt/AMD/aocc/aocc-compiler-rel-5.0.0-4925-1316/bin

AMD clang version 17.0.6 (CLANG: AOCC_5.0.0-Build#1316 2024_09_09)

Target: x86_64-unknown-linux-gnu

Thread model: posix

InstalledDir: /opt/AMD/aocc/aocc-compiler-rel-5.0.0-4925-1316/bin

=====
Fortran | 503.bwaves_r(base, peak) 549.fotonik3d_r(base, peak) 554.roms_r(base, peak)

AMD clang version 17.0.6 (CLANG: AOCC_5.0.0-Build#1316 2024_09_09)

Target: x86_64-unknown-linux-gnu

Thread model: posix

InstalledDir: /opt/AMD/aocc/aocc-compiler-rel-5.0.0-4925-1316/bin

=====
Fortran, C | 521.wrf_r(base, peak) 527.cam4_r(base, peak)

AMD clang version 17.0.6 (CLANG: AOCC_5.0.0-Build#1316 2024_09_09)

Target: x86_64-unknown-linux-gnu

Thread model: posix

InstalledDir: /opt/AMD/aocc/aocc-compiler-rel-5.0.0-4925-1316/bin

AMD clang version 17.0.6 (CLANG: AOCC_5.0.0-Build#1316 2024_09_09)

Target: x86_64-unknown-linux-gnu

Thread model: posix

InstalledDir: /opt/AMD/aocc/aocc-compiler-rel-5.0.0-4925-1316/bin

Base Compiler Invocation

C benchmarks:

clang

C++ benchmarks:

clang++

Fortran benchmarks:

flang

Benchmarks using both Fortran and C:

flang clang

(Continued on next page)



SPEC CPU®2017 Floating Point Rate Result

Copyright 2017-2024 Standard Performance Evaluation Corporation

Hewlett Packard Enterprise

(Test Sponsor: HPE)

ProLiant DL365 Gen11

(3.65 GHz, AMD EPYC 9475F)

SPECrate®2017_fp_base = 1550

SPECrate®2017_fp_peak = 1560

CPU2017 License: 3

Test Sponsor: HPE

Tested by: HPE

Test Date: Nov-2024

Hardware Availability: Jan-2025

Software Availability: Sep-2024

Base Compiler Invocation (Continued)

Benchmarks using both C and C++:

clang++ clang

Benchmarks using Fortran, C, and C++:

clang++ clang flang

Base Portability Flags

503.bwaves_r: -DSPEC_LP64
 507.cactuBSSN_r: -DSPEC_LP64
 508.namd_r: -DSPEC_LP64
 510.parest_r: -DSPEC_LP64
 511.povray_r: -DSPEC_LP64
 519.lbm_r: -DSPEC_LP64
 521.wrf_r: -DSPEC_CASE_FLAG -Mbyteswapio -DSPEC_LP64
 526.blender_r: -funsigned-char -DSPEC_LP64
 527.cam4_r: -DSPEC_CASE_FLAG -DSPEC_LP64
 538.imagick_r: -DSPEC_LP64
 544.nab_r: -DSPEC_LP64
 549.fotonik3d_r: -DSPEC_LP64
 554.roms_r: -DSPEC_LP64

Base Optimization Flags

C benchmarks:

-m64 -Wl,-mllvm -Wl,-align-all-nofallthru-blocks=6
 -Wl,-mllvm -Wl,-reduce-array-computations=3
 -Wl,-mllvm -Wl,-ldist-scalar-expand -fenable-aggressive-gather -O3
 -march=znver5 -fveclib=AMDLIBM -ffast-math -fno-PIE -no-pie -flto
 -fstruct-layout=7 -mllvm -unroll-threshold=50
 -mllvm -inline-threshold=1000 -fremap-arrays -fstrip-mining
 -mllvm -reduce-array-computations=3 -zopt -lamdlibm -lamdalloc
 -lflang -ldl

C++ benchmarks:

-m64 -std=c++14 -Wl,-mllvm -Wl,-align-all-nofallthru-blocks=6
 -Wl,-mllvm -Wl,-reduce-array-computations=3
 -Wl,-mllvm -Wl,-x86-use-vzeroupper=false -Wl,-mllvm -Wl,-extra-inliner
 -O3 -march=znver5 -fveclib=AMDLIBM -ffast-math -flto
 -mllvm -unroll-threshold=100 -mllvm -loop-unswitch-threshold=200000

(Continued on next page)



SPEC CPU®2017 Floating Point Rate Result

Copyright 2017-2024 Standard Performance Evaluation Corporation

Hewlett Packard Enterprise

(Test Sponsor: HPE)

ProLiant DL365 Gen11

(3.65 GHz, AMD EPYC 9475F)

SPECrate®2017_fp_base = 1550

SPECrate®2017_fp_peak = 1560

CPU2017 License: 3
Test Sponsor: HPE
Tested by: HPE

Test Date: Nov-2024
Hardware Availability: Jan-2025
Software Availability: Sep-2024

Base Optimization Flags (Continued)

C++ benchmarks (continued):

```
-mllvm -reduce-array-computations=3 -zopt -lamdlibm -lamdalloc  
-lflang -ldl
```

Fortran benchmarks:

```
-m64 -Wl,-mllvm -Wl,-align-all-nofallthru-blocks=6  
-Wl,-mllvm -Wl,-reduce-array-computations=3  
-Wl,-mllvm -Wl,-enable-X86-prefetching  
-Wl,-mllvm -Wl,-enable-aggressive-gather=true  
-Wl,-mllvm -Wl,-enable-masked-gather-sequence=false -O3 -march=znver5  
-fveclib=AMDLIBM -ffast-math -flto -Mrecursive -funroll-loops  
-mllvm -lsr-in-nested-loop -mllvm -reduce-array-computations=3  
-fepilog-vectorization-of-inductions -zopt -lamdlibm -lamdalloc  
-lflang -ldl
```

Benchmarks using both Fortran and C:

```
-m64 -Wl,-mllvm -Wl,-align-all-nofallthru-blocks=6  
-Wl,-mllvm -Wl,-reduce-array-computations=3  
-Wl,-mllvm -Wl,-enable-X86-prefetching  
-Wl,-mllvm -Wl,-enable-aggressive-gather=true  
-Wl,-mllvm -Wl,-enable-masked-gather-sequence=false -O3 -march=znver5  
-fveclib=AMDLIBM -ffast-math -fno-PIE -no-pie -flto  
-fstruct-layout=7 -mllvm -unroll-threshold=50  
-mllvm -inline-threshold=1000 -fremap-arrays -fstrip-mining  
-mllvm -reduce-array-computations=3 -zopt -Mrecursive -funroll-loops  
-mllvm -lsr-in-nested-loop -fepilog-vectorization-of-inductions  
-lamdlibm -lamdalloc -lflang -ldl
```

Benchmarks using both C and C++:

```
-m64 -std=c++14 -Wl,-mllvm -Wl,-align-all-nofallthru-blocks=6  
-Wl,-mllvm -Wl,-reduce-array-computations=3  
-Wl,-mllvm -Wl,-x86-use-vzeroupper=false -Wl,-mllvm -Wl,-extra-inliner  
-O3 -march=znver5 -fveclib=AMDLIBM -ffast-math -fno-PIE -no-pie  
-flto -fstruct-layout=7 -mllvm -unroll-threshold=50  
-mllvm -inline-threshold=1000 -fremap-arrays -fstrip-mining  
-mllvm -reduce-array-computations=3 -zopt -mllvm -unroll-threshold=100  
-mllvm -loop-unswitch-threshold=200000 -lamdlibm -lamdalloc -lflang  
-ldl
```

Benchmarks using Fortran, C, and C++:

```
-m64 -std=c++14 -Wl,-mllvm -Wl,-align-all-nofallthru-blocks=6  
-Wl,-mllvm -Wl,-reduce-array-computations=3  
-Wl,-mllvm -Wl,-x86-use-vzeroupper=false -Wl,-mllvm -Wl,-extra-inliner  
-O3 -march=znver5 -fveclib=AMDLIBM -ffast-math -fno-PIE -no-pie  
-flto -fstruct-layout=7 -mllvm -unroll-threshold=50  
-mllvm -inline-threshold=1000 -fremap-arrays -fstrip-mining
```

(Continued on next page)



SPEC CPU®2017 Floating Point Rate Result

Copyright 2017-2024 Standard Performance Evaluation Corporation

Hewlett Packard Enterprise

(Test Sponsor: HPE)

ProLiant DL365 Gen11

(3.65 GHz, AMD EPYC 9475F)

SPECrate®2017_fp_base = 1550

SPECrate®2017_fp_peak = 1560

CPU2017 License: 3

Test Sponsor: HPE

Tested by: HPE

Test Date: Nov-2024

Hardware Availability: Jan-2025

Software Availability: Sep-2024

Base Optimization Flags (Continued)

Benchmarks using Fortran, C, and C++ (continued):

```
-mllvm -reduce-array-computations=3 -zopt -mllvm -unroll-threshold=100
-mllvm -loop-unswitch-threshold=200000 -Mrecursive -funroll-loops
-mllvm -lsr-in-nested-loop -fepilog-vectorization-of-inductions
-lamdlibm -lamdalloc -lflang -ldl
```

Base Other Flags

C benchmarks:

```
-Wno-unused-command-line-argument
```

C++ benchmarks:

```
-Wno-unused-command-line-argument
```

Fortran benchmarks:

```
-Wno-unused-command-line-argument
```

Benchmarks using both Fortran and C:

```
-Wno-unused-command-line-argument
```

Benchmarks using both C and C++:

```
-Wno-unused-command-line-argument
```

Benchmarks using Fortran, C, and C++:

```
-Wno-unused-command-line-argument
```

Peak Compiler Invocation

C benchmarks:

```
clang
```

C++ benchmarks:

```
clang++
```

Fortran benchmarks:

```
flang
```

Benchmarks using both Fortran and C:

```
flang clang
```

Benchmarks using both C and C++:

```
clang++ clang
```

(Continued on next page)



SPEC CPU®2017 Floating Point Rate Result

Copyright 2017-2024 Standard Performance Evaluation Corporation

Hewlett Packard Enterprise

(Test Sponsor: HPE)

ProLiant DL365 Gen11

(3.65 GHz, AMD EPYC 9475F)

SPECrate®2017_fp_base = 1550

SPECrate®2017_fp_peak = 1560

CPU2017 License: 3

Test Sponsor: HPE

Tested by: HPE

Test Date: Nov-2024

Hardware Availability: Jan-2025

Software Availability: Sep-2024

Peak Compiler Invocation (Continued)

Benchmarks using Fortran, C, and C++:

clang++ clang flang

Peak Portability Flags

Same as Base Portability Flags

Peak Optimization Flags

C benchmarks:

```
519.lbm_r: -m64 -Wl,-mllvm -Wl,-align-all-nofallthru-blocks=6
-Wl,-mllvm -Wl,-reduce-array-computations=3 -Ofast
-march=znver5 -fveclib=AMDLIBM -ffast-math -flto
-fstruct-layout=7 -mllvm -unroll-threshold=50
-freemap-arrays -fstrip-mining
-mllvm -inline-threshold=1000
-mllvm -reduce-array-computations=3 -zopt -lamdlibm
-lamdalloc -ldl
```

538.imagick_r: basepeak = yes

```
544.nab_r: -m64 -flto -Wl,-mllvm -Wl,-ldist-scalar-expand
-fenable-aggressive-gather -Ofast -march=znver5
-fveclib=AMDLIBM -ffast-math -fstruct-layout=7
-mllvm -unroll-threshold=50 -freemap-arrays -fstrip-mining
-mllvm -inline-threshold=1000
-mllvm -reduce-array-computations=3 -zopt -lamdlibm
-lamdalloc -ldl
```

C++ benchmarks:

```
508.namd_r: -m64 -std=c++14
-Wl,-mllvm -Wl,-align-all-nofallthru-blocks=6
-Wl,-mllvm -Wl,-reduce-array-computations=3
-Wl,-mllvm -Wl,-x86-use-vzeroupper=false -Ofast
-march=znver5 -fveclib=AMDLIBM -ffast-math -flto
-mllvm -unroll-threshold=100
-mllvm -reduce-array-computations=3 -zopt -lamdlibm
-lamdalloc -ldl
```

(Continued on next page)



SPEC CPU®2017 Floating Point Rate Result

Copyright 2017-2024 Standard Performance Evaluation Corporation

Hewlett Packard Enterprise

(Test Sponsor: HPE)

ProLiant DL365 Gen11

(3.65 GHz, AMD EPYC 9475F)

SPECrate®2017_fp_base = 1550

SPECrate®2017_fp_peak = 1560

CPU2017 License: 3

Test Sponsor: HPE

Tested by: HPE

Test Date: Nov-2024

Hardware Availability: Jan-2025

Software Availability: Sep-2024

Peak Optimization Flags (Continued)

```
510.parest_r: -m64 -std=c++14 -flto -Wl,-mllvm -Wl,-suppress-fmas
-Wl,-mllvm -Wl,-x86-use-vzeroupper=false -Ofast
-march=znver5 -fveclib=AMDLIBM -ffast-math
-mllvm -unroll-threshold=100
-mllvm -reduce-array-computations=3 -zopt -lamdlibm
-lamdalloc -ldl
```

Fortran benchmarks:

```
503.bwaves_r: basepeak = yes
```

```
549.fotonik3d_r: -m64 -Wl,-mllvm -Wl,-align-all-nofallthru-blocks=6
-Wl,-mllvm -Wl,-reduce-array-computations=3 -Ofast
-march=znver5 -fveclib=AMDLIBM -ffast-math -flto
-Mrecursive -mllvm -reduce-array-computations=3
-fepilog-vectorization-of-inductions -fvector-transform
-fscalar-transform -lamdlibm -lamdalloc -ldl -lflang
```

```
554.roms_r: -m64 -Wl,-mllvm -Wl,-align-all-nofallthru-blocks=6
-Wl,-mllvm -Wl,-reduce-array-computations=3 -Ofast
-march=znver5 -fveclib=AMDLIBM -ffast-math -flto
-Mrecursive -mllvm -reduce-array-computations=3
-fepilog-vectorization-of-inductions -zopt -lamdlibm
-lamdalloc -ldl -lflang
```

Benchmarks using both Fortran and C:

```
521.wrf_r: -m64 -Wl,-mllvm -Wl,-align-all-nofallthru-blocks=6
-Wl,-mllvm -Wl,-reduce-array-computations=3 -Ofast
-march=znver5 -fveclib=AMDLIBM -ffast-math -flto
-fstruct-layout=7 -mllvm -unroll-threshold=50
-freemap-arrays -fstrip-mining
-mllvm -inline-threshold=1000
-mllvm -reduce-array-computations=3 -zopt -Mrecursive
-funroll-loops -mllvm -lsr-in-nested-loop
-fepilog-vectorization-of-inductions -lamdlibm -lamdalloc
-ldl -lflang
```

```
527.cam4_r: -m64 -Wl,-mllvm -Wl,-align-all-nofallthru-blocks=6
-Wl,-mllvm -Wl,-reduce-array-computations=3
-Wl,-mllvm -Wl,-enable-X86-prefetching -Ofast
-march=znver5 -fveclib=AMDLIBM -ffast-math -flto
-fstruct-layout=7 -mllvm -unroll-threshold=50
-mllvm -inline-threshold=1000 -freemap-arrays
```

(Continued on next page)



SPEC CPU®2017 Floating Point Rate Result

Copyright 2017-2024 Standard Performance Evaluation Corporation

Hewlett Packard Enterprise

(Test Sponsor: HPE)

ProLiant DL365 Gen11

(3.65 GHz, AMD EPYC 9475F)

SPECrate®2017_fp_base = 1550

SPECrate®2017_fp_peak = 1560

CPU2017 License: 3

Test Sponsor: HPE

Tested by: HPE

Test Date: Nov-2024

Hardware Availability: Jan-2025

Software Availability: Sep-2024

Peak Optimization Flags (Continued)

527.cam4_r (continued):

```
-mllvm -reduce-array-computations=3 -zopt -Mrecursive
-funroll-loops -mllvm -lsr-in-nested-loop
-fepilog-vectorization-of-inductions -lamdlibm -lamdalloc
-ldl -lflang
```

Benchmarks using both C and C++:

511.povray_r: basepeak = yes

526.blender_r: -m64 -std=c++14

```
-Wl,-mllvm -Wl,-align-all-nofallthru-blocks=6
-Wl,-mllvm -Wl,-reduce-array-computations=3
-Wl,-mllvm -Wl,-x86-use-vzeroupper=false -Ofast
-march=znver5 -fveclib=AMDLIBM -ffast-math -flt0
-fstruct-layout=7 -mllvm -unroll-threshold=50
-freemap-arrays -fstrip-mining
-mllvm -inline-threshold=1000
-mllvm -reduce-array-computations=3 -zopt
-mllvm -unroll-threshold=100 -lamdlibm -lamdalloc -ldl
```

Benchmarks using Fortran, C, and C++:

507.cactuBSSN_r: basepeak = yes

Peak Other Flags

C benchmarks:

```
-Wno-unused-command-line-argument
```

C++ benchmarks:

```
-Wno-unused-command-line-argument
```

Fortran benchmarks:

```
-Wno-unused-command-line-argument
```

Benchmarks using both Fortran and C:

```
-Wno-unused-command-line-argument
```

Benchmarks using both C and C++:

```
-Wno-unused-command-line-argument
```

Benchmarks using Fortran, C, and C++:

```
-Wno-unused-command-line-argument
```



SPEC CPU®2017 Floating Point Rate Result

Copyright 2017-2024 Standard Performance Evaluation Corporation

Hewlett Packard Enterprise

(Test Sponsor: HPE)

ProLiant DL365 Gen11

(3.65 GHz, AMD EPYC 9475F)

SPECrate®2017_fp_base = 1550

SPECrate®2017_fp_peak = 1560

CPU2017 License: 3

Test Sponsor: HPE

Tested by: HPE

Test Date: Nov-2024

Hardware Availability: Jan-2025

Software Availability: Sep-2024

The flags files that were used to format this result can be browsed at

<http://www.spec.org/cpu2017/flags/HPE-Platform-Flags-AMD-Turin-rev1.0.html>

<http://www.spec.org/cpu2017/flags/aocc500-flags.html>

You can also download the XML flags sources by saving the following links:

<http://www.spec.org/cpu2017/flags/HPE-Platform-Flags-AMD-Turin-rev1.0.xml>

<http://www.spec.org/cpu2017/flags/aocc500-flags.xml>

SPEC CPU and SPECrate are registered trademarks of the Standard Performance Evaluation Corporation. All other brand and product names appearing in this result are trademarks or registered trademarks of their respective holders.

For questions about this result, please contact the tester. For other inquiries, please contact info@spec.org.

Tested with SPEC CPU®2017 v1.1.9 on 2024-11-25 11:20:04-0500.

Report generated on 2024-12-18 18:22:12 by CPU2017 PDF formatter v6716.

Originally published on 2024-12-17.